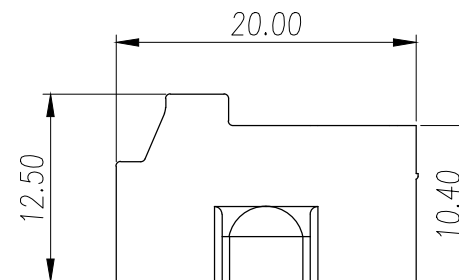
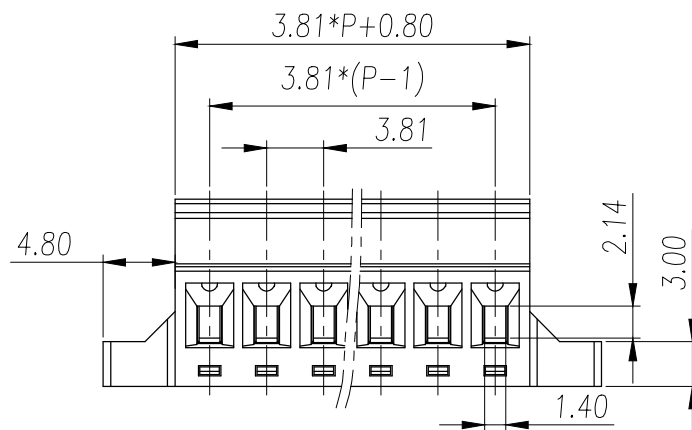
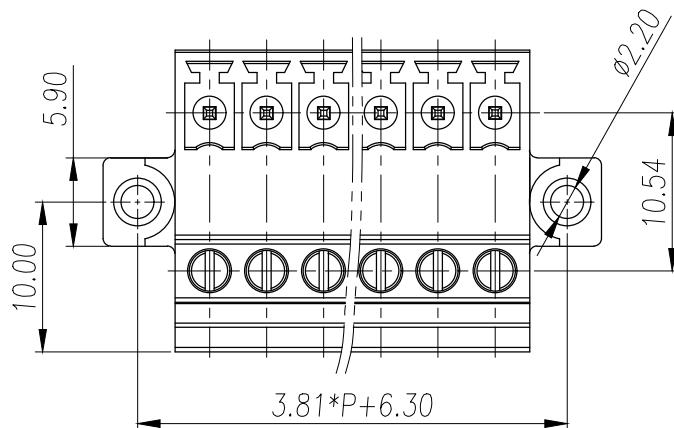


REVISION RECORD

REV.	CONTENT	MOD.	DATE
△	新发行		



NOTES:

Pitch: 3.81mm Pole: 2-24P
 Rated Voltage: 300V
 Rated Current: 8A
 Withstand Voltage:
 AC2000V for 1 minute
 Using Temperature Range :
 -40° -+150°
 Wire range :28-16 AWG
 Screw Torque Value :0.2N.m
 Strip Length: 7mm

技术要求:

间距: 3.81mm 极数: 2-24P
 额定电压: 300V
 额定电流: 8A
 耐电压值: AC 2000V/min
 使用条件: -40℃ -+105℃
 适用线规: 28-16AWG
 螺丝扭矩: 0.2 N.m
 剥线长度: 7mm

	pitch dimension			Nominal dimension					— ▭ ○
	over 0 to 6	over 6 to 10	over 10 to 24	over 0 to 30	over 30 to 60	over 60 to 100	over 100 to 150	over 150	
variable range	0 to 6	6 to 10	10 to 24	0 to 30	30 to 60	60 to 100	100 to 150	150	0.05/10
Tolerance	±0.1	±0.15	±0.25	±0.2	±0.3	±0.5	±0.7	±1.0	0.05/10

5	LC18-3.81方针	1051B0001AV	P	紫铜	镀雾锡
4	LC1-3.81-方块	F1A0BLC3813V	P	黄铜	镀镍
3	LC1-3.81-螺丝	SP0YA204801V	P	碳钢	三价铬钝化彩锌
2	LC18-3.81盖板	1052C0YXXAV	1	PA66-V0	
1	LC18-3.81主体	1052A0YXXAV	1	PA66-V0	
NO.	NAME OF PART	NO. OF PART	Q'TY	MATERIAL	NOTES
DES.	CMZ	DATE 2025/04/27	UNITS mm	THIRD ANGLE PROJECT	DRW
CHK.		DATE	SIZE A4		1 of 1
APP.		DATE	SCALE 1:1	DWG NO. SP-1-1052A400	REV: V0
				TITLE	
上海联捷电气有限公司 Shanghai Elinker Electric CO.,LTD				LC18-3.81-XXP-1Y-00A LC18-3.81成品	